



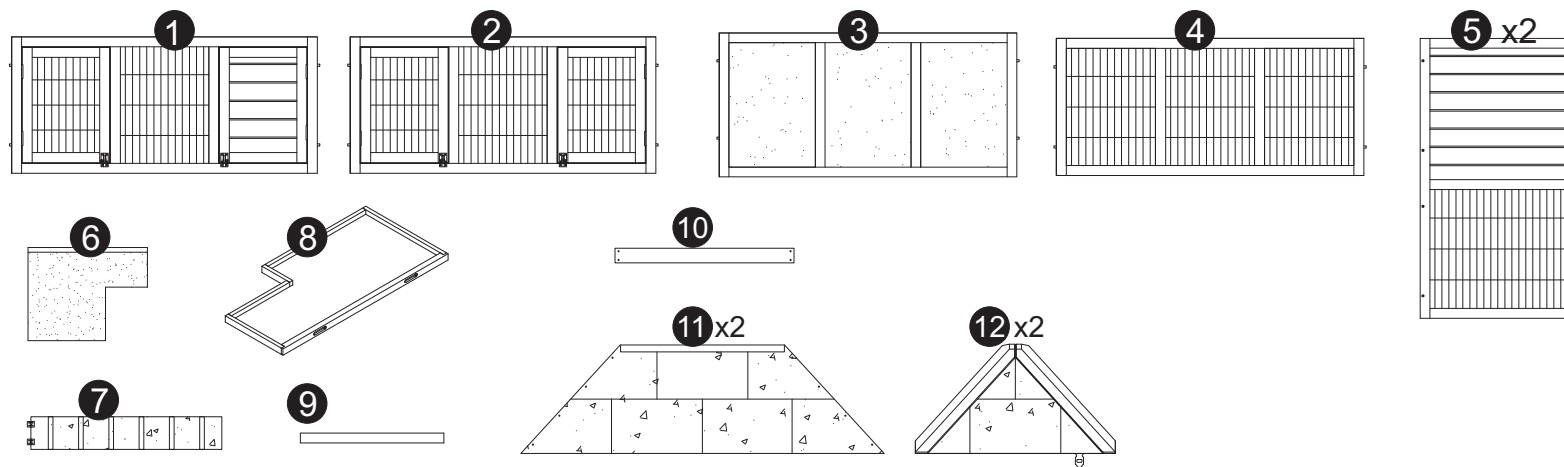
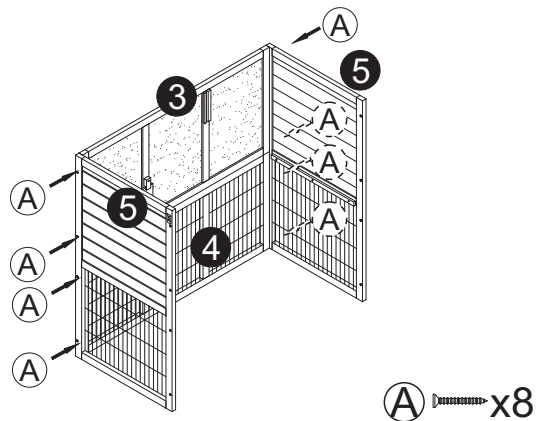


ASSEMBLY INSTRUCTIONS

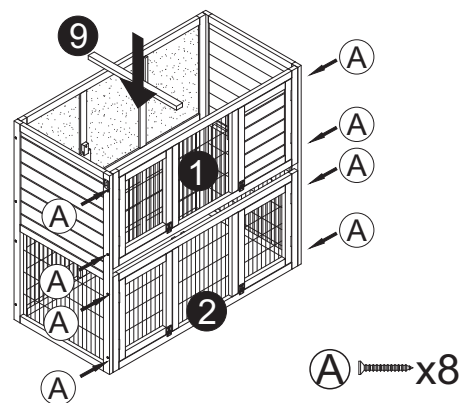
- (A)**  3.5x40 16+1PCS
- (B)**  3.5x35 4+1PCS
- (C)**  3.0x20 16+1PCS
- (D)**  3.0x16 4+1PCS



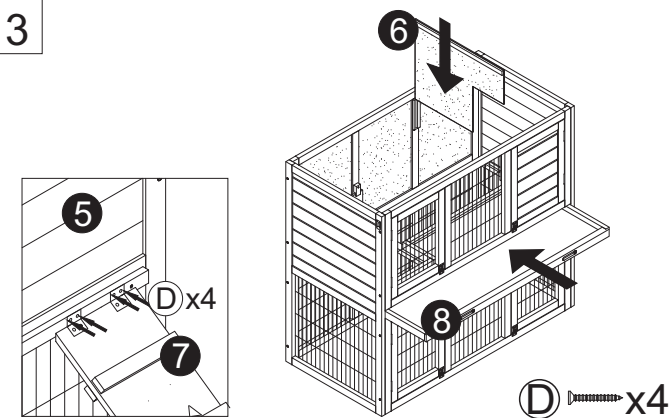
1



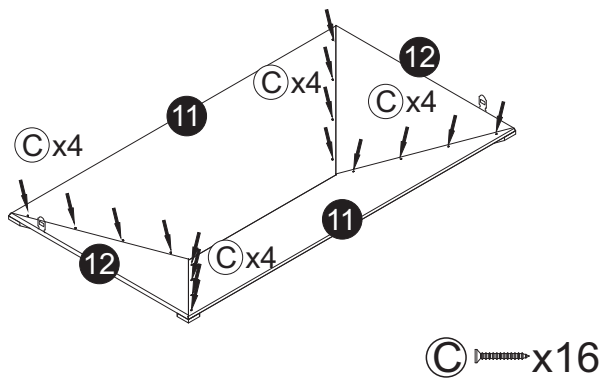
2



3



4



5

