




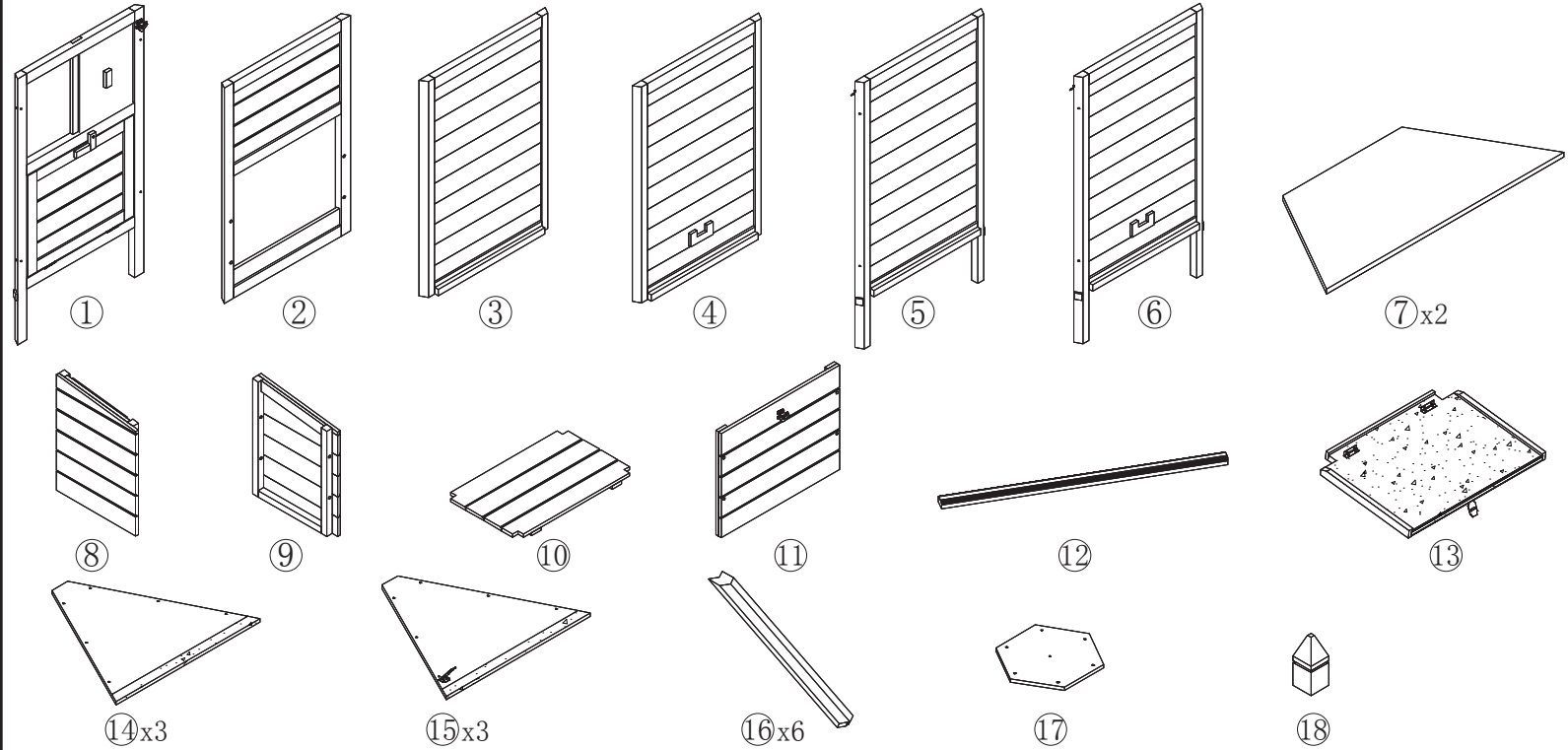
Assembly Instructions

Ⓐ  M6*50=8PCS

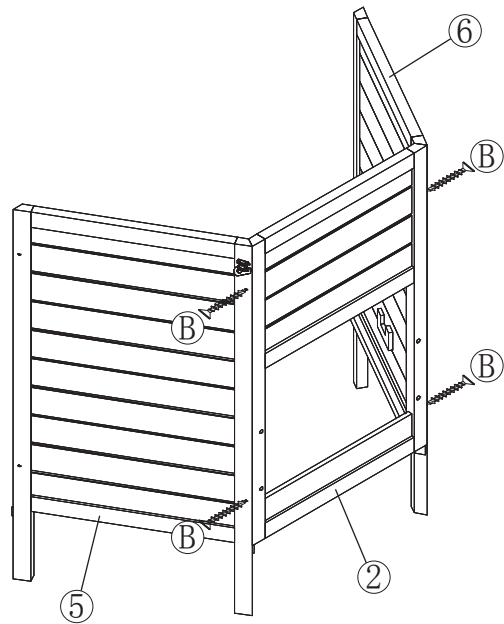
Ⓑ  3.5*35=13+1PCS

Ⓒ  3.0*25=42+2PCS

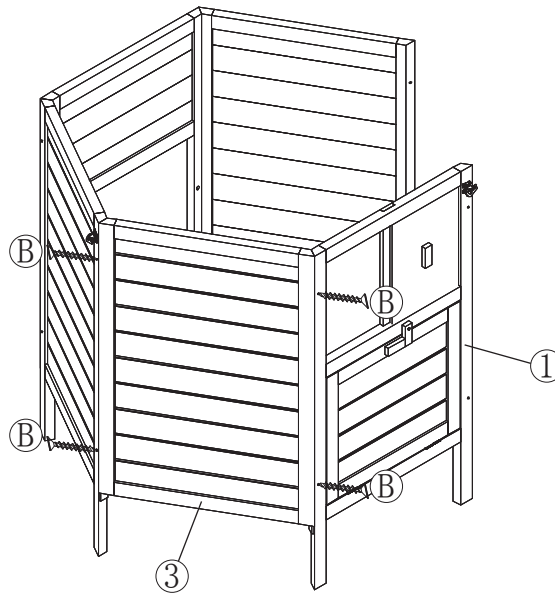
Ⓓ  3.0*16=4+1PCS



1



2



3

