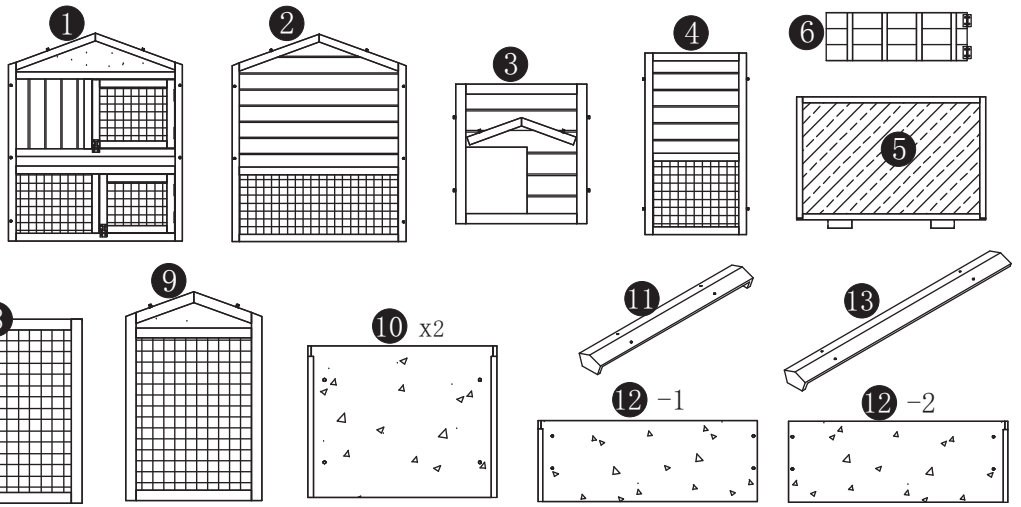
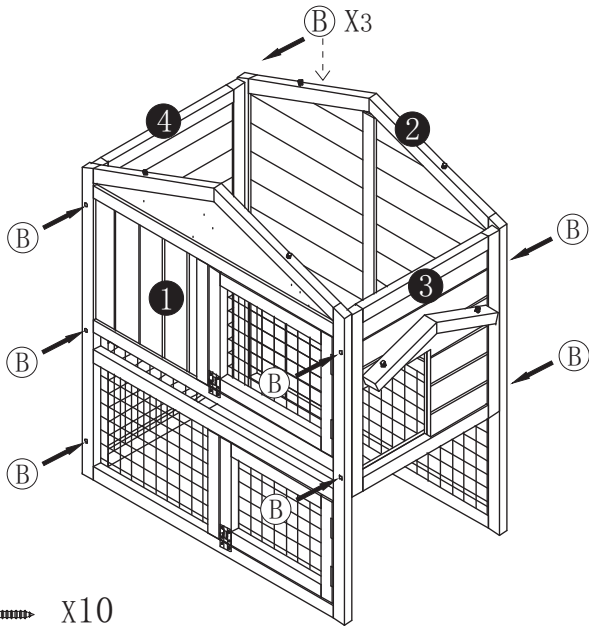


Assembly Instructions

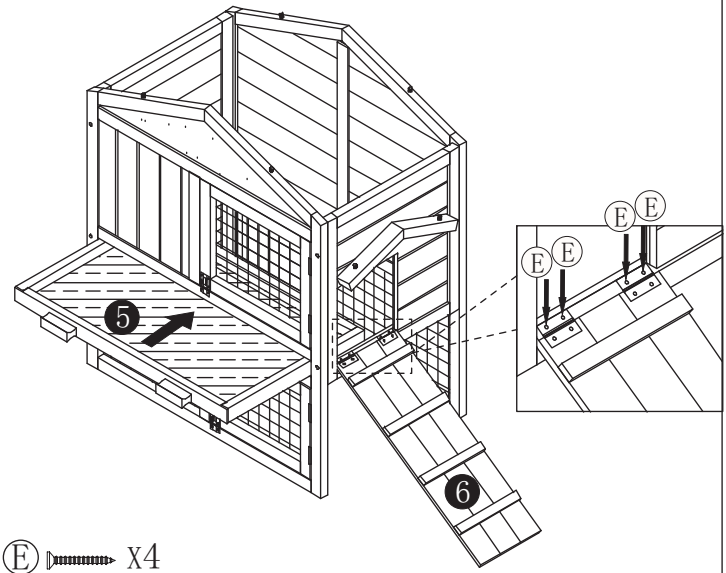
- (A)  3.5*50 4+1PCS
- (B)  3.5*40 14+1PCS
- (C)  3.5*35 16+1PCS
- (D)  3.5*25 8+1PCS
- (E)  3.0*14 4+1PCS



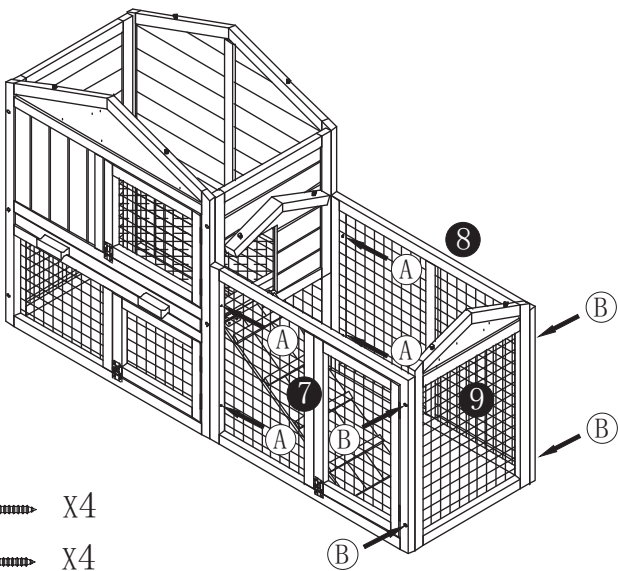
1



2



3



4

